

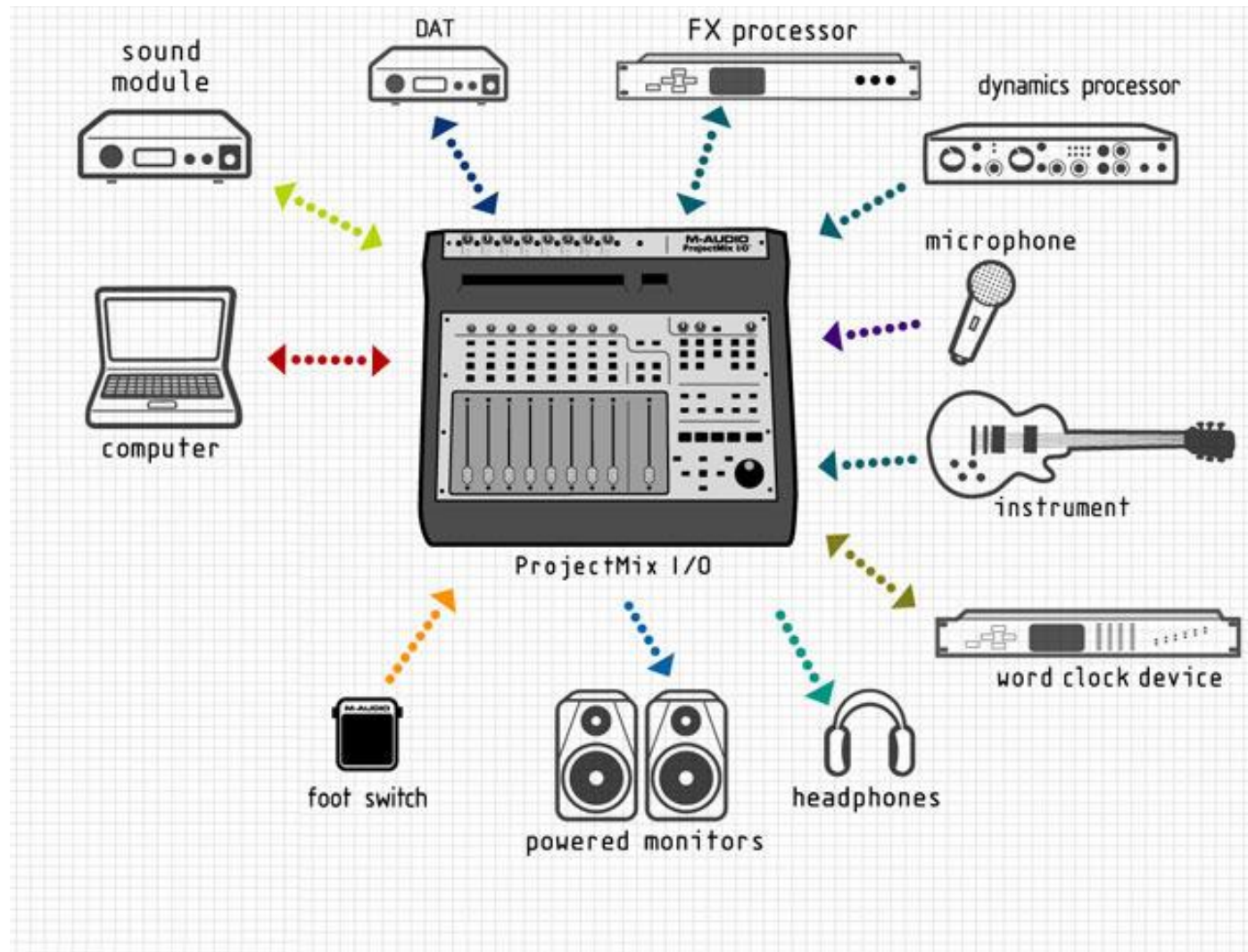
MAE 140: Linear Circuits – Winter 2013

Circuit Demonstration #3

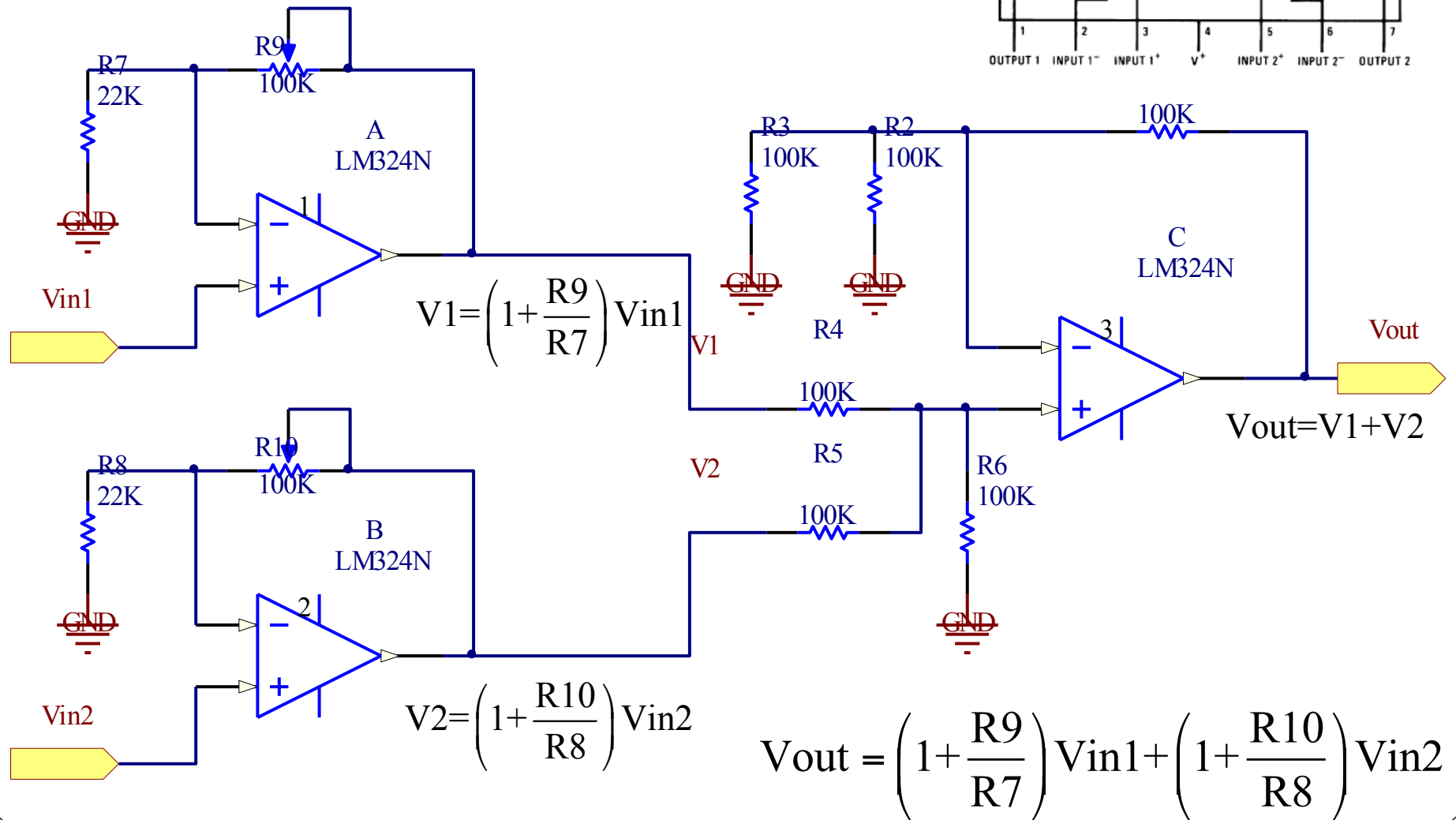
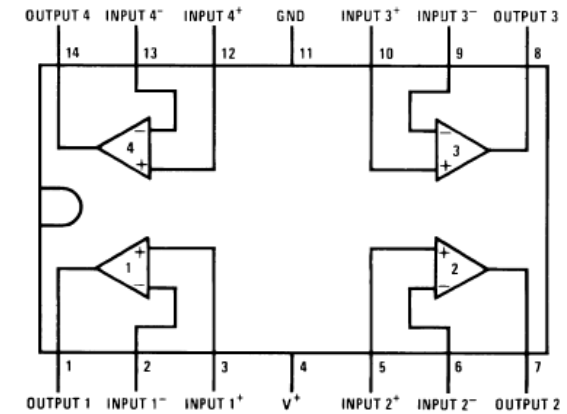
Audio Mixer



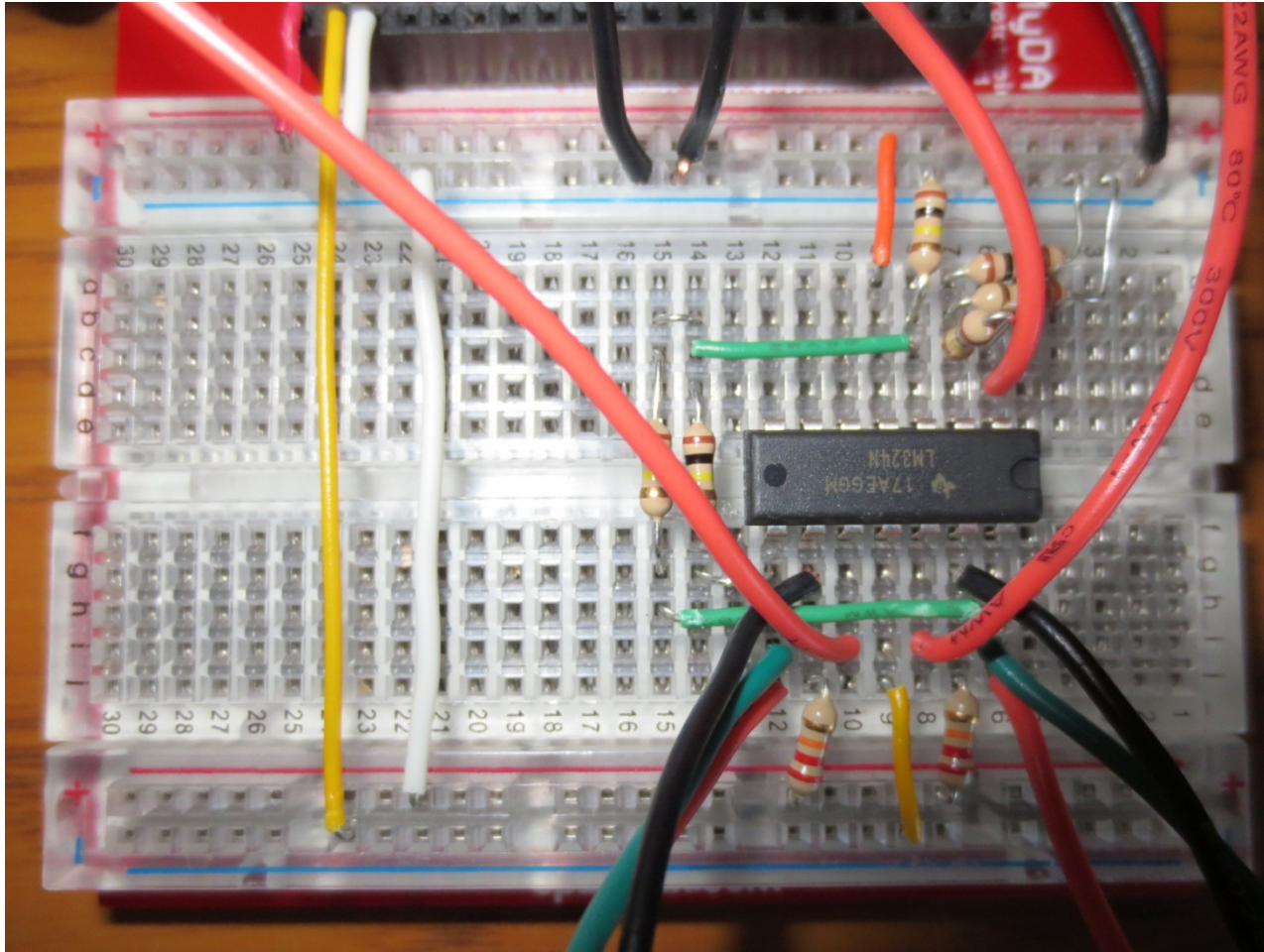
What is an audio mixer?



2-channel audio mixer using LM324



Circuit close-up



Experiment Setup

