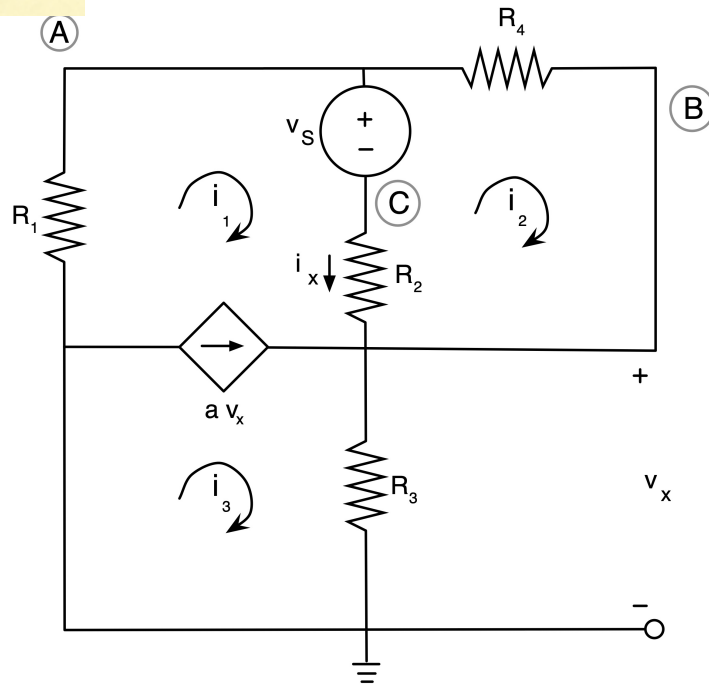


1. - Part I



To use mesh-current analysis, we first need to take care of the presence of the current source. We do this using a supermesh (method 3), [+1 point]

$$i_3 - i_1 = a v_x \quad \text{[+1 point]}$$

KVL at the supermesh is

$$v_S + R_2(i_1 - i_2) + R_3 i_3 + R_1 i_1 = 0 \quad \text{[+1 point]}$$

The remaining KVL at mesh 2 takes the form

$$R_4 i_2 + R_2(i_2 - i_1) - v_S = 0 \quad \text{[+1 point]}$$

Finally, we need to take into account the presence of the dependent source. This means

expressing v_x as a function of the mesh currents.
Looking at the circuit, we have

$$v_x = R_3 i_3$$

[+1 point]

This gives us a total of 4 equations in 4
unknowns i_1, i_2, i_3, v_x . In matrix form

$$\begin{pmatrix} -1 & 0 & 1 & -a \\ R_1+R_2 & -R_2 & R_3 & 0 \\ -R_2 & R_2+R_4 & 0 & 0 \\ 0 & 0 & -R_3 & 1 \end{pmatrix} \begin{pmatrix} i_1 \\ i_2 \\ i_3 \\ v_x \end{pmatrix} = \begin{pmatrix} 0 \\ -V_S \\ V_S \\ 0 \end{pmatrix}$$

Either
or
[+1 point]

Part II

$$v_A = -R_1 i_1$$

[+0.5 point]

$$v_B = R_3 i_3$$

[+0.5 point]

$$v_C = R_2 (i_1 - i_2) + R_3 i_3$$

[+1 point]

Part III

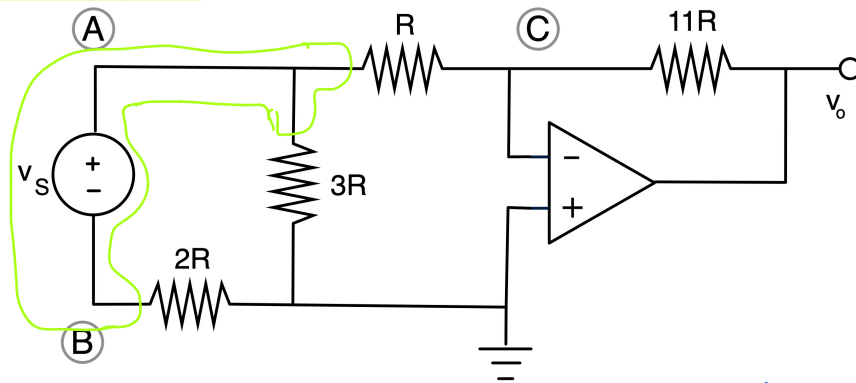
$$v_x = v_B$$

[+1 point]

$$i_x = \frac{1}{R_2} (v_C - v_B)$$

[+1 point]

2. - Part I



The presence of the voltage source is a problem for node voltage analysis. We can create a supernode and set

$$V_A - V_B = V_S$$

[+1 point]

[+1 point]

KCL at the supernode is $(G = \frac{1}{R})$

$$G(V_A - V_C) + \frac{G}{3}(V_A) + \frac{G}{2}(V_B) = 0 \quad [+1 \text{ point}]$$

Finally, KCL at node (c) is

$$G(V_C - V_A) + \frac{G}{11}(V_C - V_o) = 0 \quad [+1 \text{ point}]$$

(here, we have used ideal conditions, so $i_n = 0$)

Ideal conditions of the op-amp also specify

$$V_C = V_n = V_p = 0$$

[+1 point]

Substituting above, we obtain

$$V_A - V_B = V_S$$

$$\frac{4G}{3} V_A + \frac{G}{2} V_B = 0 \Rightarrow V_B = -\frac{8}{3} V_A$$

$$-G V_A - \frac{G}{11} V_0 = 0 \Rightarrow V_0 = -11 V_A$$

Solving for V_A ,

$$\frac{11}{3} V_A = V_S \Rightarrow V_A = \frac{3}{11} V_S$$

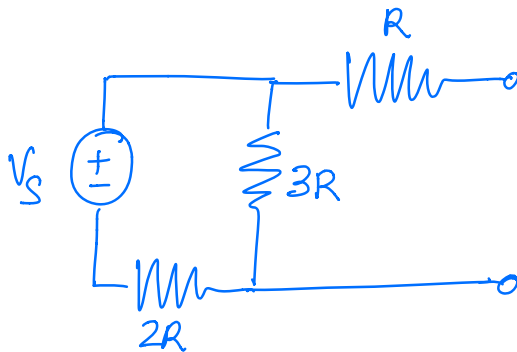
$$V_B = -\frac{8}{11} V_S$$

$$V_0 = -3 V_S$$

So the first engineer was right. [+1 point]

Part II

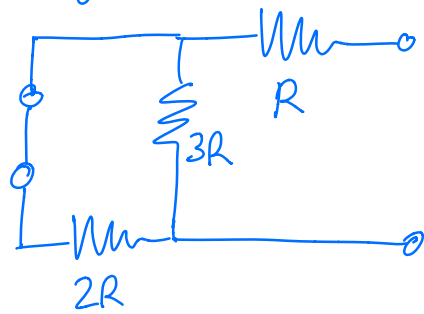
The source circuit described in the statement is



Let's compute its Thévenin equivalent

[+1 point]

Turning the source off, we get

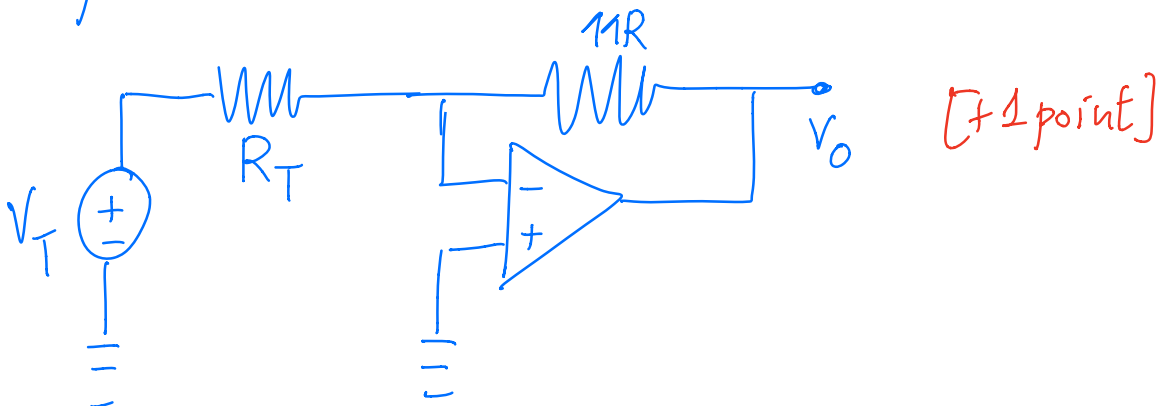


$$\begin{aligned} \text{so } R_T &= R + 2R \parallel 3R \\ &= R + \frac{6R^2}{5R} \\ &= \frac{11}{5}R \quad [+0.5 \text{ point}] \end{aligned}$$

On the other hand, V_T is the open-circuit voltage of the source circuit, i.e.,

$$V_T = V_{oc} = \frac{3R}{2R+3R} V_S = \frac{3}{5} V_S \quad [+0.5 \text{ point}]$$

Going back to the original circuit, we substitute the source circuit by its Thévenin equivalent to get



This is an inverting op-amp basic building [+1 point]

block, so

$$V_o = -\frac{11R}{R_T} V_T = -\frac{11R}{\frac{11}{5}R} \cdot \frac{3}{5} V_S = -3V_S$$

which is the same answer we got in Part I.

Part III

With an input of $V_S = 4V$, if the op-amp is operating in the linear range, we should have $V_o = -3 \cdot 4 = -12V$. Connecting a load at the output node does not change the voltage (because of the zero output resistance of the op-amp), so the current through the resistor load should be

$$i = \frac{-12}{6 \cdot 10^3} = -2 \cdot 10^{-3} A = -2 \text{ mA}$$

The fact that this is not the value means that the op-amp was not operating in the linear range, i.e., it saturates [+1 extra point] with the input $V_S = 4V$. To measure a current of -1 mA , it means that $-V_{CC} = -6V$. [+1 extra point]

3. - Part I

Because there is current flowing through the inverting op-amp. This means that the second stage loads the first one, and the open-circuit voltage ($V_{oc} = V_s$) of the first stage is not the input voltage to the inverting op-amp.

[+2 points]

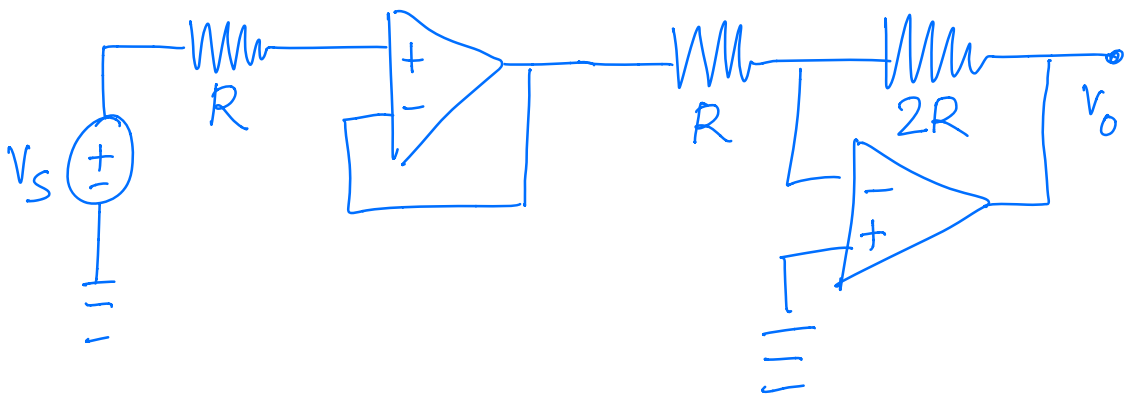
Instead, we will have

$$V_o = -\frac{2R}{R+R} V_s = -V_s$$

[+2 points]

Part II

We could use a voltage follower, as follows



[+2 points]

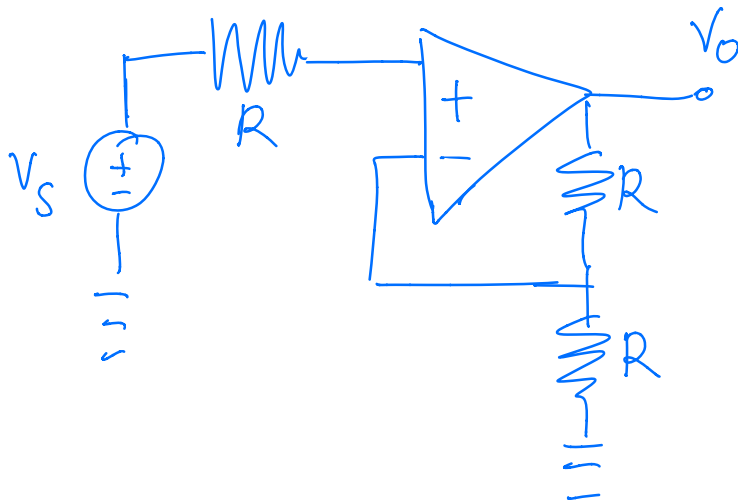
The voltage follower has ∞ -input resistance (so it does not load the first stage) and 0-output resistance (so it does not get loaded by the last stage). Consequently,

$$V_o = -\frac{2R}{R} \cdot 1 \cdot V_S = -2V_S$$

and the instructor's expectation becomes true. [+2 points]

Part III

This can be done with a non-inverting op-amp.



$$\begin{aligned} V_o &= \frac{R+R}{R} V_S \\ &= 2V_S \end{aligned}$$

[+2 points]